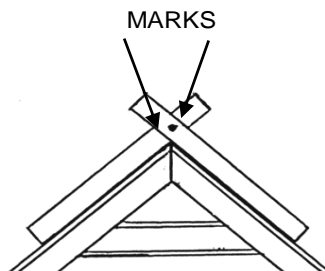


EASY INSTALLATION GUIDE

OCTAGONAL CUPOLA

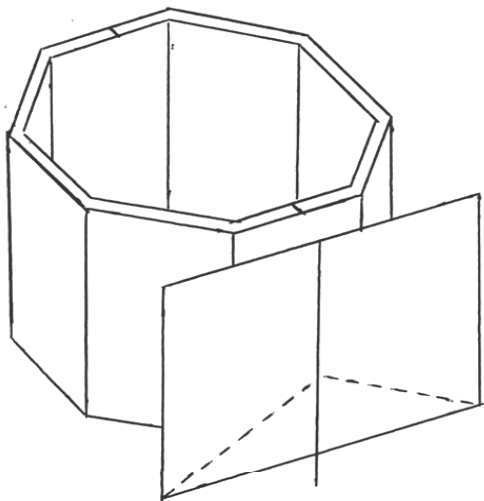
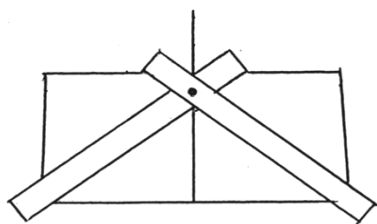
1. Determine Your Roof Pitch

Nail two boards together so they pivot. Straddle the roof with each board as shown, making sure each side is flat against the roof and the center is at the center of the peak. Mark the boards with a pencil. This becomes your cutting template. Cut a piece of cardboard the size of your cupola base. (Example: If your cupola measures 42" wide from flatside to flatside and is 17" high the cardboard should be cut at 17" x 42".)



2. Mark the Cupola Base

Draw a centerline on the cardboard template. Using your cutting template, make a line from each corner to the centerline. This will be your cutting line. Start cuts at corners and end at center. After marking and cutting the cardboard line up the centerline with a center mark on the two opposing sides of your cupola base and trace the cutout lines. Now connect these marks with the corners of the adjacent base panels. Your base is now be ready to cut.



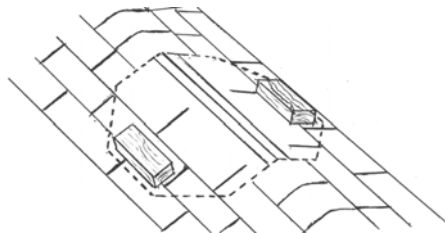
3. Prepare Roof - Decorative

Cut and remove the portion of your ridge cap that would normally be under the cupola. This allows a snug fit for the base.

Prepare Roof - Ventilation

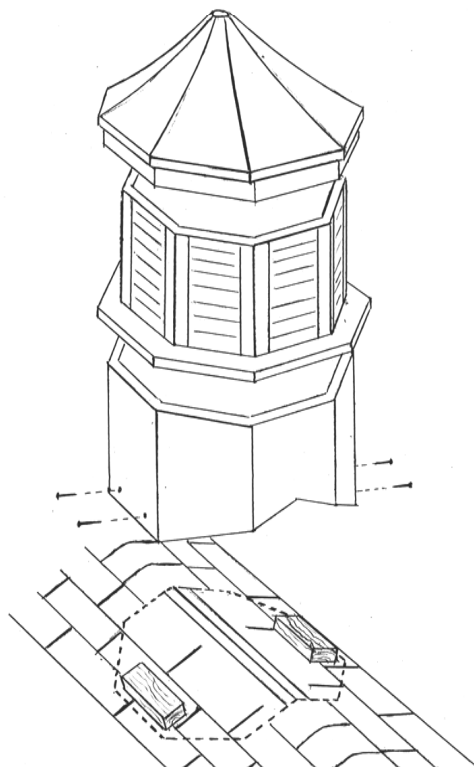
If your cupola will be used for ventilation or accessibility, cut an opening in the roof, leaving 5" minimum around the inside perimeter of the cupola base.

Cut shingles & sheathing only. Do not cut ridge or rafters.



4. Position

Position pieces of 2x4 as shown to be snug against the inside walls of the cupola base. Screw them into the roof.

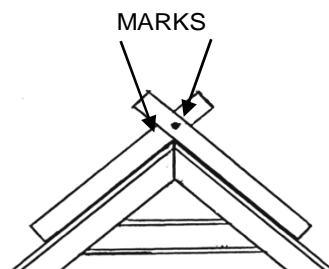


5. Mounting & Assembly

Attach the base to the 2x4s. Once the base is secured to the roof, use silicone caulk to seal the bottom of base section to keep water from leaking under your cupola. If shingles (other than the ridge cap) have been removed, you will need to use flashing. Now attach the mid-section to the base, and the top to the mid-section using the screws (provided) in the pre-drilled holes. Apply silicone caulk to all exposed screw heads.

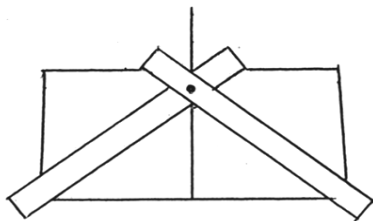
CUPOLA

EASY 5 STEP INSTALLATION GUIDE



1. Determine Your Roof Pitch

Nail two boards together so they pivot. Straddle the roof with each board as shown, making sure each side is flat against the roof and the center is at the center of the peak. Mark the boards with a pencil. This becomes your cutting template.



2. Mark the Cupola Base

Draw a centerline on the cardboard template. Using your cutting template, make a line from each corner to the centerline. This will be your cutting line. Start cuts at corners and end at center.

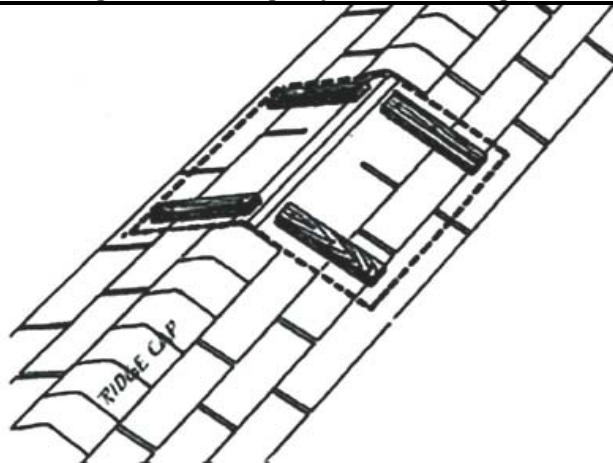
3. Prepare Roof - Decorative

Cut and remove the portion of your ridge cap that would normally be under the cupola. This allows a snug fit for the base.

Prepare Roof - Ventilation

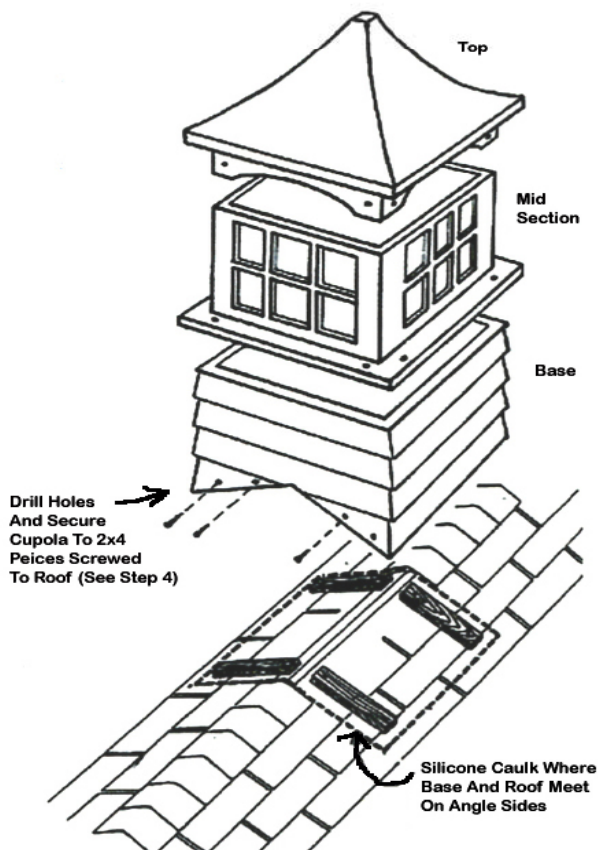
If your cupola will be used for ventilation or accessibility, cut an opening in the roof, leaving 5" minimum around the inside perimeter of the cupola base.

Cut shingles & sheathing only. Do not cut ridge or rafters.



4. Position

Position pieces of 2x4 as shown to be snug against the inside walls of the cupola base. Screw them into the roof.



5. Mounting & Assembly

Attach the base to the 2x4s. Once the base is secured to the roof, use silicone caulk to seal the bottom of base section to keep water from leaking under your cupola. If shingles (other than the ridge cap) have been removed, you will need to use flashing. Now attach the mid-section to the base, and the top to the mid-section using the screws (provided) in the pre-drilled holes. Apply silicone caulk to all exposed screw heads.