

LANCASTER COUNTY BARNES



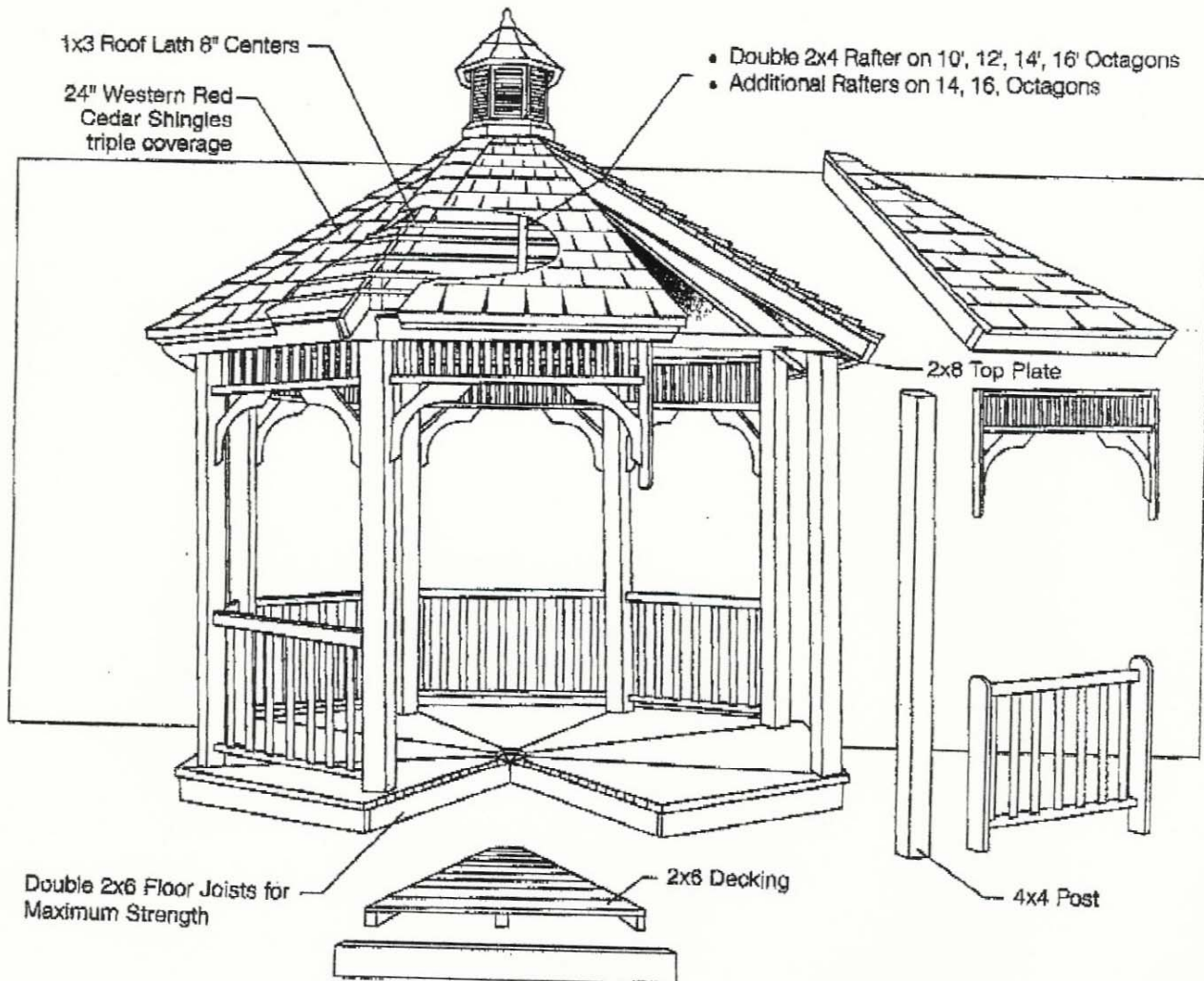
GAZEBO GUIDE

DIMENSIONS

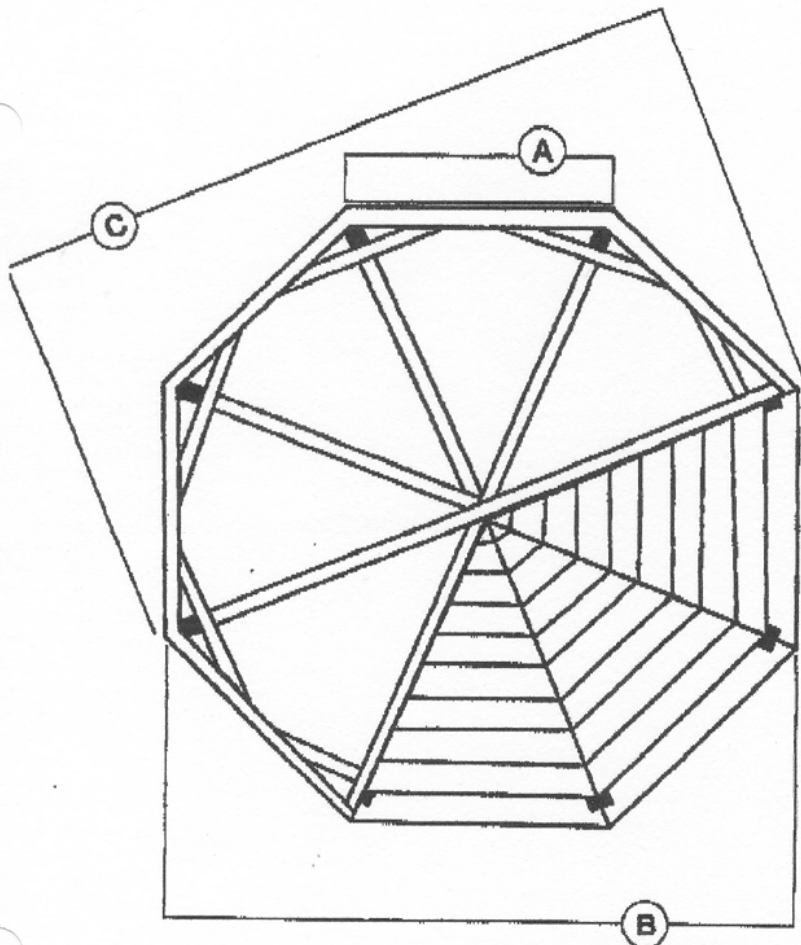
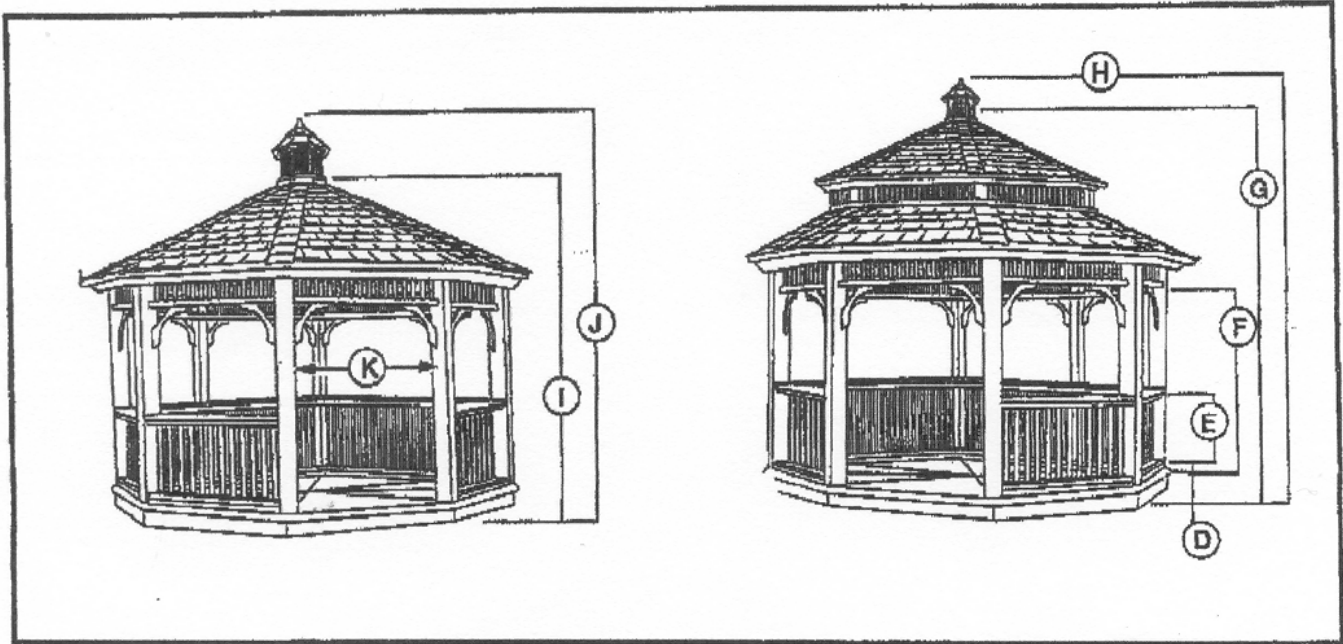
GAZEBO DIMENSIONS

Octagon Gazebos

Built with treated #1 Select Southern Yellow Pine, Kiln Dried Before & After Treatment, Milled All Four Sides and Corner Edges. To eliminate Shrinkage, Twisting and Splintering. Ready to apply Sealer, Stain, or Paint. Structural built with glue coated Galvanized and Stainless Steel Fasteners for long life and stability

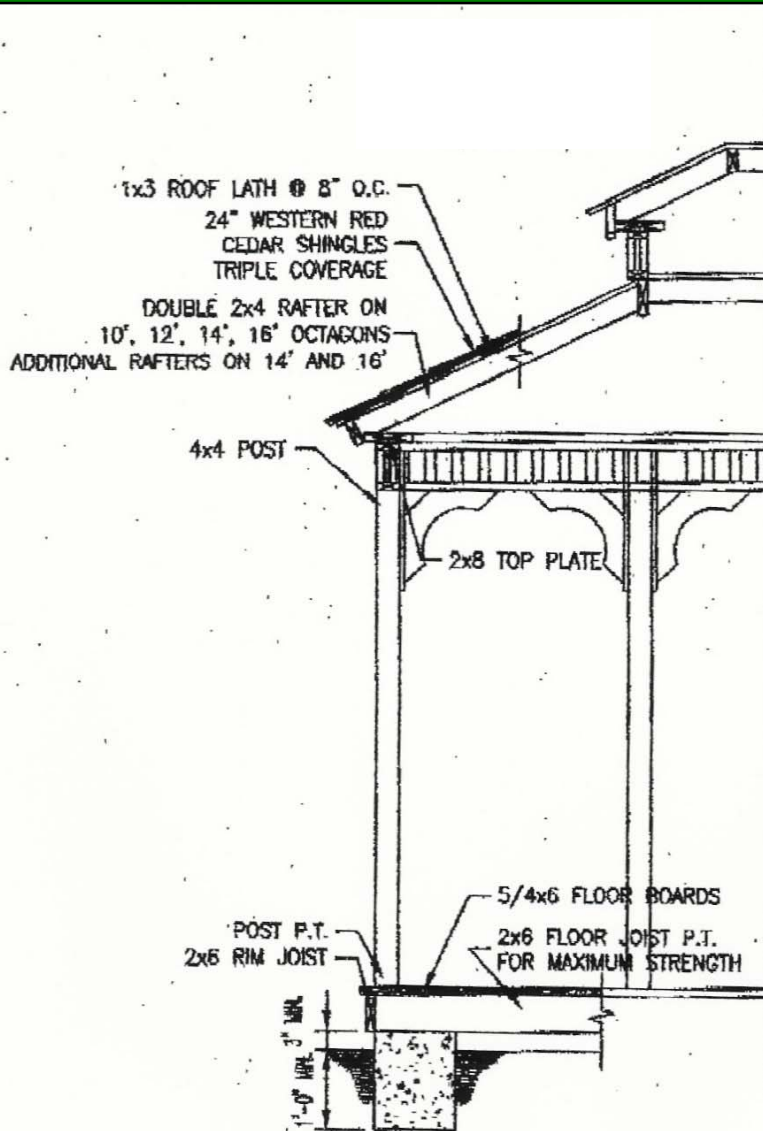


GAZEBO DIMENSIONS



	8'	10'	12'	14'	16'
A	36 7/16"	47 1/4"	57 3/8"	68 3/8"	77 7/16"
B	88"	114 1/8"	138 5/8"	160 1/4"	186 7/8"
C	95 1/4"	123 1/2"	150 1/8"	173 1/2"	202 1/4"
D	6 3/4"	6 3/4"	6 3/4"	6 3/4"	6 3/4"
E	32"	32"	32"	32"	32"
F	73"	73"	73"	73"	73"
G	---	130 1/2"	135"	140 3/4"	146"
H	---	154 3/4"	159 1/4"	165"	170 1/4"
I	109 3/4"	117"	122 1/4"	126"	132"
J	134"	141 1/4"	146 1/2"	150 1/4"	156 1/4"
K	29 1/2"	40 3/8"	50 7/16"	59 1/2"	70 1/2"

GAZEBO DIMENSIONS

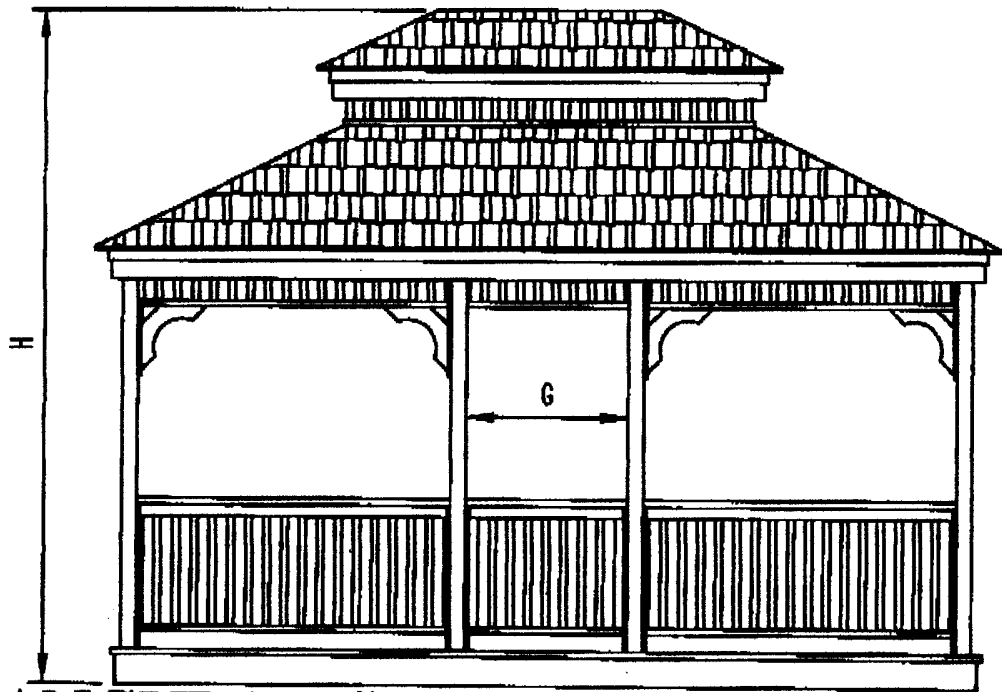
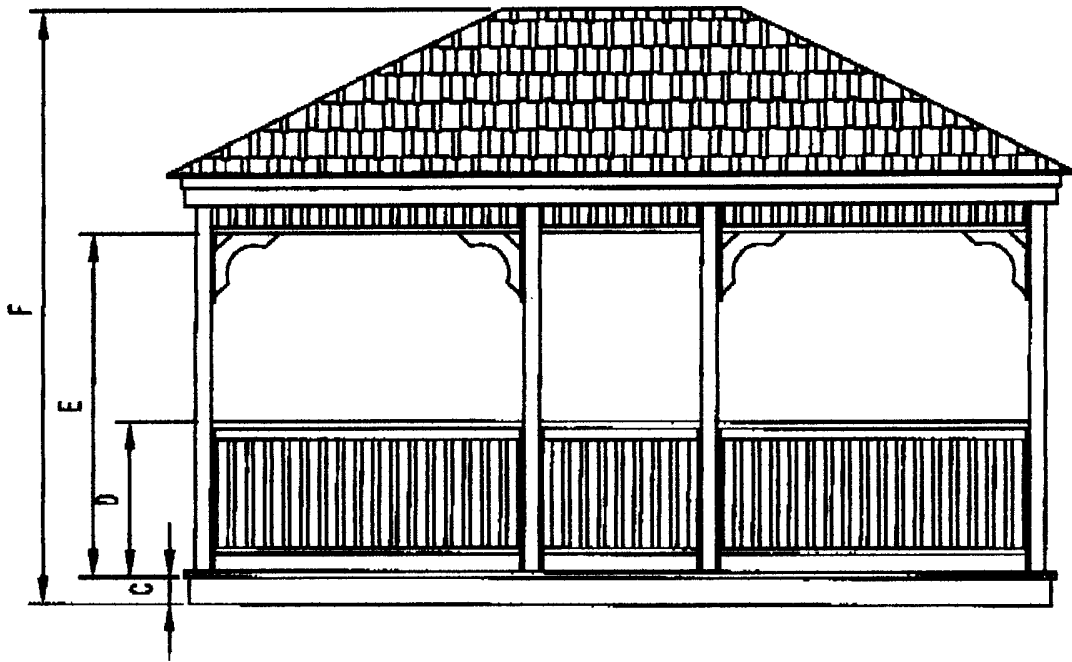


OCTAGON GAZEBOS

BUILT WITH .40 C.C.A. #1 SELECT SOUTHER YELLO PINE, KILN DRIED BEFORE & AFTER TREATMENT, MILLED ALL FOUR SIDES AND CORNER EDGES. TO ELIMINATE SHRINKAGE, TWISTING AND SPLINTERING. READY TO APPLY SEALER, STAIN OR PAINT. STRUCTURAL BUILT WITH GLUE COATED GALVANIZED AND STAINLESS STEEL FASTENERS FOR LONG LIFE AND STABILITY.

GAZEBO DIMENSIONS

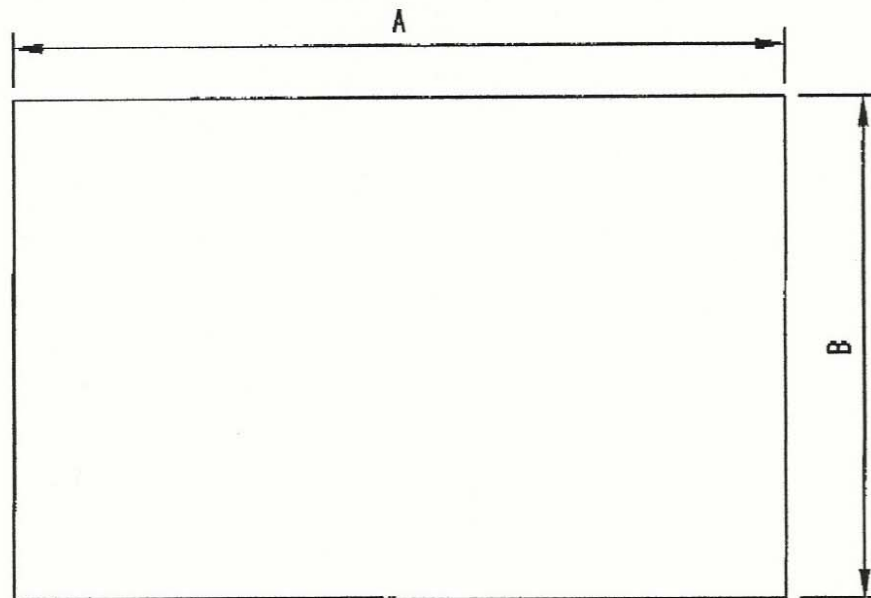
WOOD



RECTANGULAR-SINGLE OR DOUBLE ROOF

GAZEBO DIMENSIONS

RECTANGULAR - WOOD

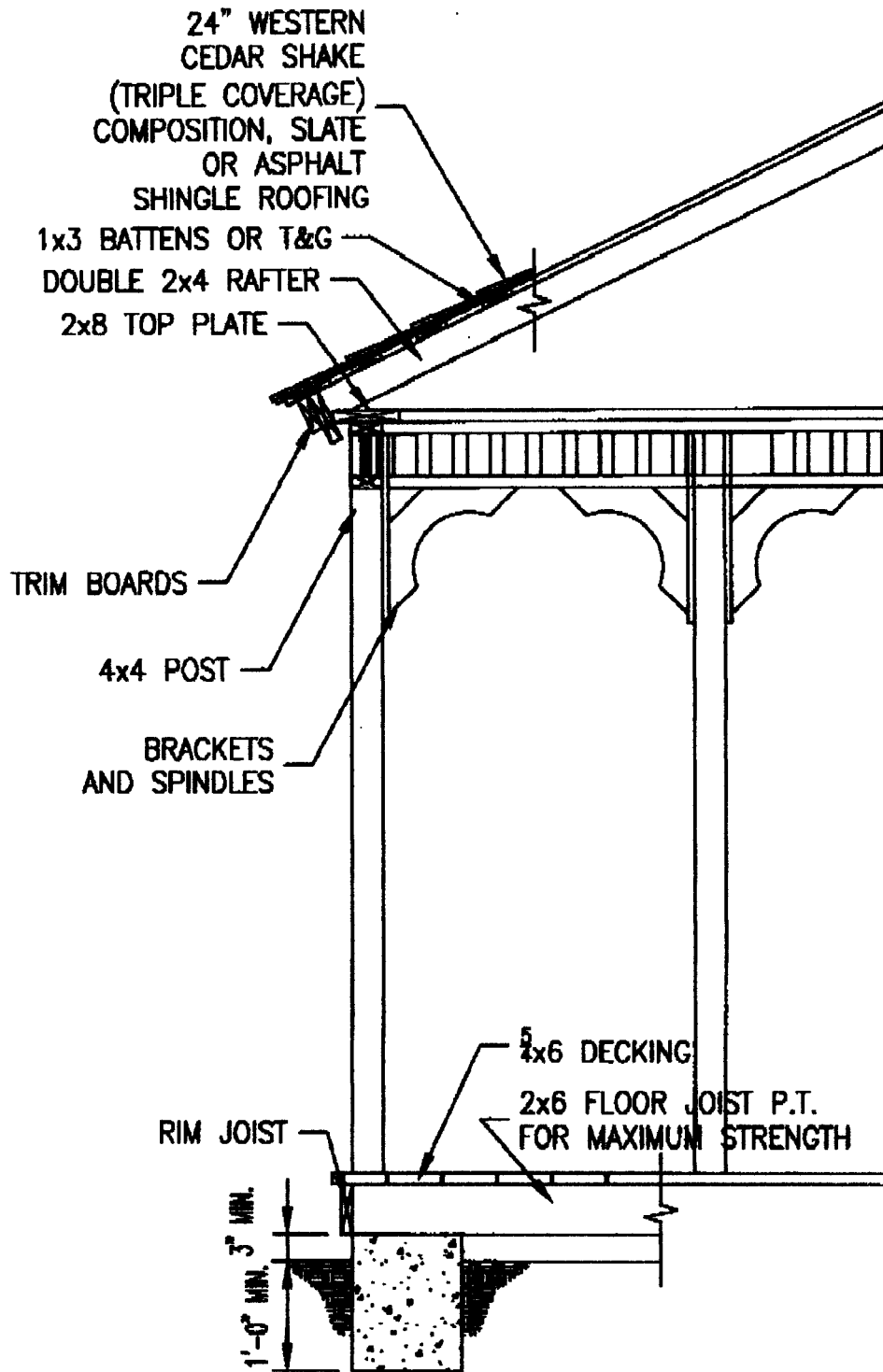


WOOD RECTANGLE GAZEBOS

SIZE	A	B	C	D	E	F	G	H
8x10	114- $\frac{1}{2}$ "	90- $\frac{1}{2}$ "	6- $\frac{3}{4}$ "	32"	72- $\frac{3}{4}$ "	115- $\frac{3}{4}$ "	37- $\frac{5}{8}$ "	N/A
8x12	138- $\frac{1}{2}$ "	90- $\frac{1}{2}$ "	6- $\frac{3}{4}$ "	32"	72- $\frac{3}{4}$ "	115- $\frac{3}{4}$ "	37- $\frac{5}{8}$ "	N/A
8x14	162- $\frac{1}{2}$ "	90- $\frac{1}{2}$ "	6- $\frac{3}{4}$ "	32"	72- $\frac{3}{4}$ "	115- $\frac{3}{4}$ "	37- $\frac{5}{8}$ "	N/A
10x12	138- $\frac{1}{2}$ "	111- $\frac{1}{2}$ "	6- $\frac{3}{4}$ "	32"	72- $\frac{3}{4}$ "	123"	37- $\frac{5}{8}$ "	136- $\frac{1}{2}$ "
10x14	162- $\frac{1}{2}$ "	111- $\frac{1}{2}$ "	6- $\frac{3}{4}$ "	32"	72- $\frac{3}{4}$ "	123"	37- $\frac{5}{8}$ "	136- $\frac{1}{2}$ "
10x16	186- $\frac{1}{2}$ "	111- $\frac{1}{2}$ "	6- $\frac{3}{4}$ "	32"	72- $\frac{3}{4}$ "	123"	37- $\frac{5}{8}$ "	136- $\frac{1}{2}$ "
10x20	234- $\frac{1}{2}$ "	111- $\frac{1}{2}$ "	6- $\frac{3}{4}$ "	32"	72- $\frac{3}{4}$ "	123"	37- $\frac{5}{8}$ "	136- $\frac{1}{2}$ "
12x14	162- $\frac{1}{2}$ "	138- $\frac{1}{2}$ "	6- $\frac{3}{4}$ "	32"	72- $\frac{3}{4}$ "	128- $\frac{1}{4}$ "	37- $\frac{5}{8}$ "	141"
12x16	186- $\frac{1}{2}$ "	138- $\frac{1}{2}$ "	6- $\frac{3}{4}$ "	32"	72- $\frac{3}{4}$ "	128- $\frac{1}{4}$ "	37- $\frac{5}{8}$ "	141"
12x18	210- $\frac{1}{8}$ "	138- $\frac{1}{2}$ "	6- $\frac{3}{4}$ "	32"	72- $\frac{3}{4}$ "	128- $\frac{1}{4}$ "	37- $\frac{5}{8}$ "	141"
12x20	234- $\frac{1}{2}$ "	138- $\frac{1}{2}$ "	6- $\frac{3}{4}$ "	32"	72- $\frac{3}{4}$ "	128- $\frac{1}{4}$ "	37- $\frac{5}{8}$ "	141"
12x24	282- $\frac{1}{2}$ "	138- $\frac{1}{2}$ "	6- $\frac{3}{4}$ "	32"	72- $\frac{3}{4}$ "	128- $\frac{1}{4}$ "	37- $\frac{5}{8}$ "	141"
14x18	210- $\frac{1}{2}$ "	159- $\frac{3}{4}$ "	6- $\frac{3}{4}$ "	32"	72- $\frac{3}{4}$ "	132"	37- $\frac{5}{8}$ "	146- $\frac{3}{4}$ "
14x20	234- $\frac{1}{2}$ "	159- $\frac{3}{4}$ "	6- $\frac{3}{4}$ "	32"	72- $\frac{3}{4}$ "	132"	37- $\frac{5}{8}$ "	146- $\frac{3}{4}$ "
14x24	282- $\frac{1}{2}$ "	159- $\frac{3}{4}$ "	6- $\frac{3}{4}$ "	32"	72- $\frac{3}{4}$ "	132"	37- $\frac{5}{8}$ "	146- $\frac{3}{4}$ "
14x32	378- $\frac{1}{2}$ "	159- $\frac{3}{4}$ "	6- $\frac{3}{4}$ "	32"	72- $\frac{3}{4}$ "	132"	37- $\frac{5}{8}$ "	146- $\frac{3}{4}$ "

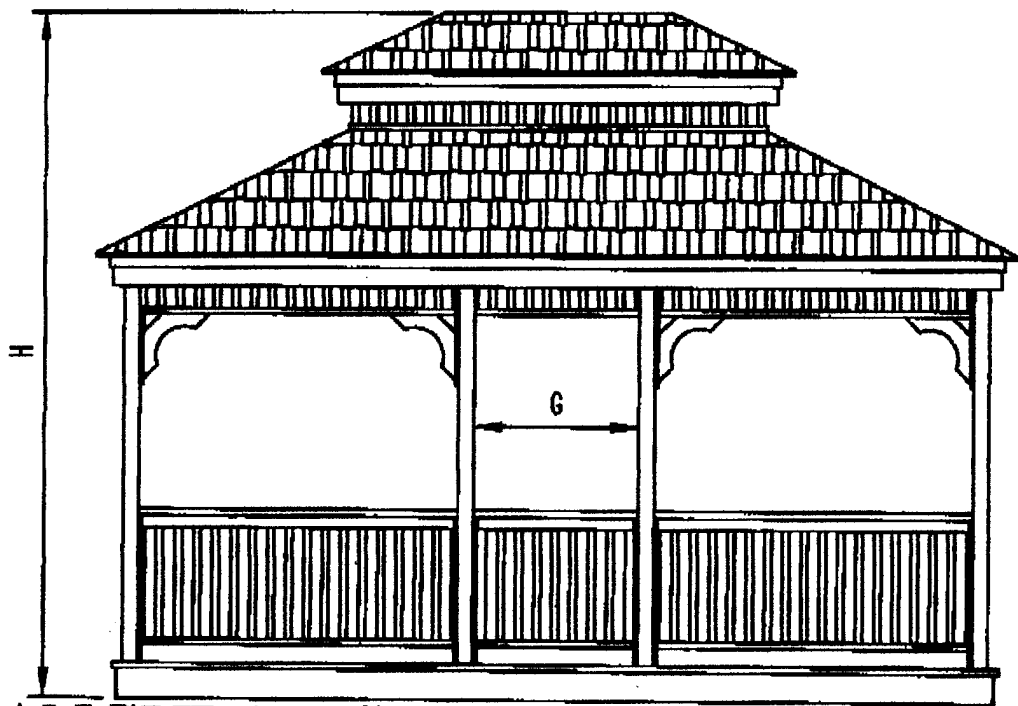
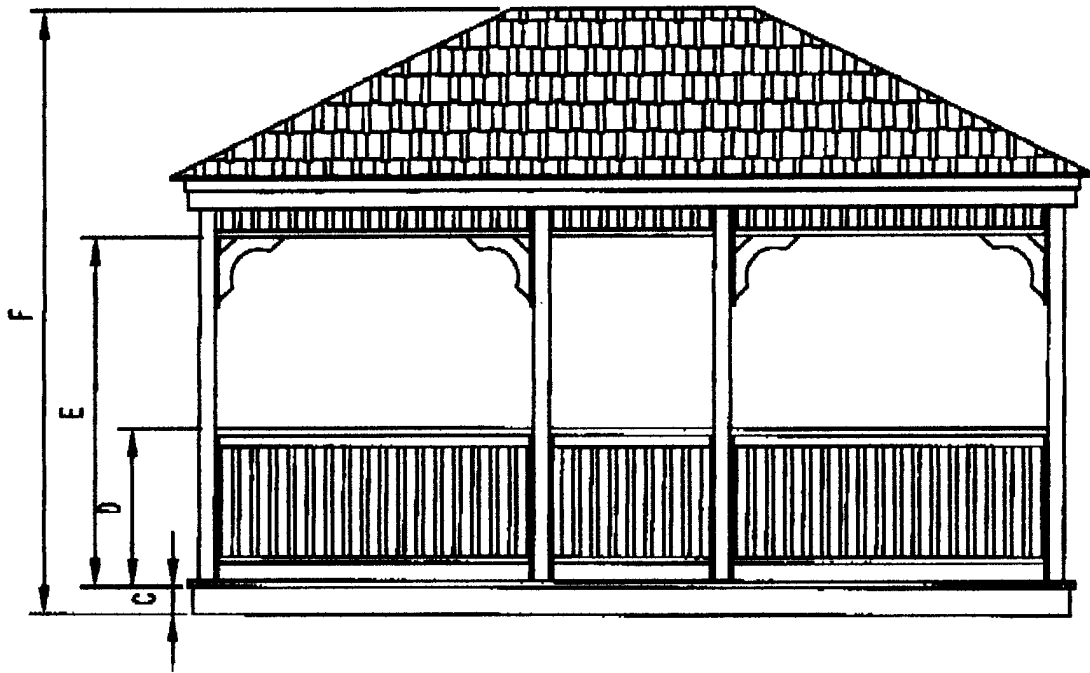
GAZEBO DIMENSIONS

RECTANGULAR - WOOD



GAZEBO DIMENSIONS

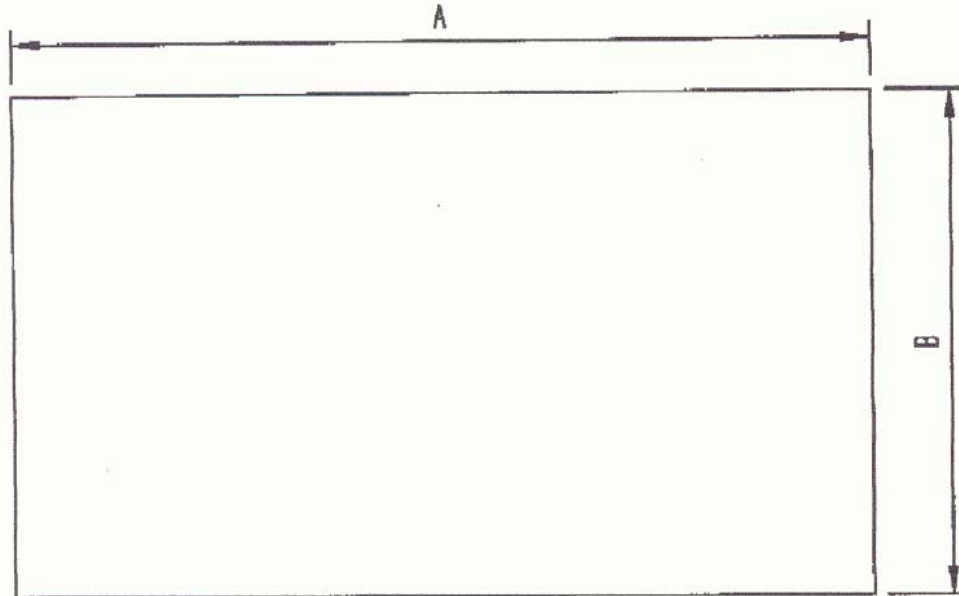
VINYL



RECTANGULAR-SINGLE OR DOUBLE ROOF

GAZEBO DIMENSIONS

RECTANGULAR - VINYL

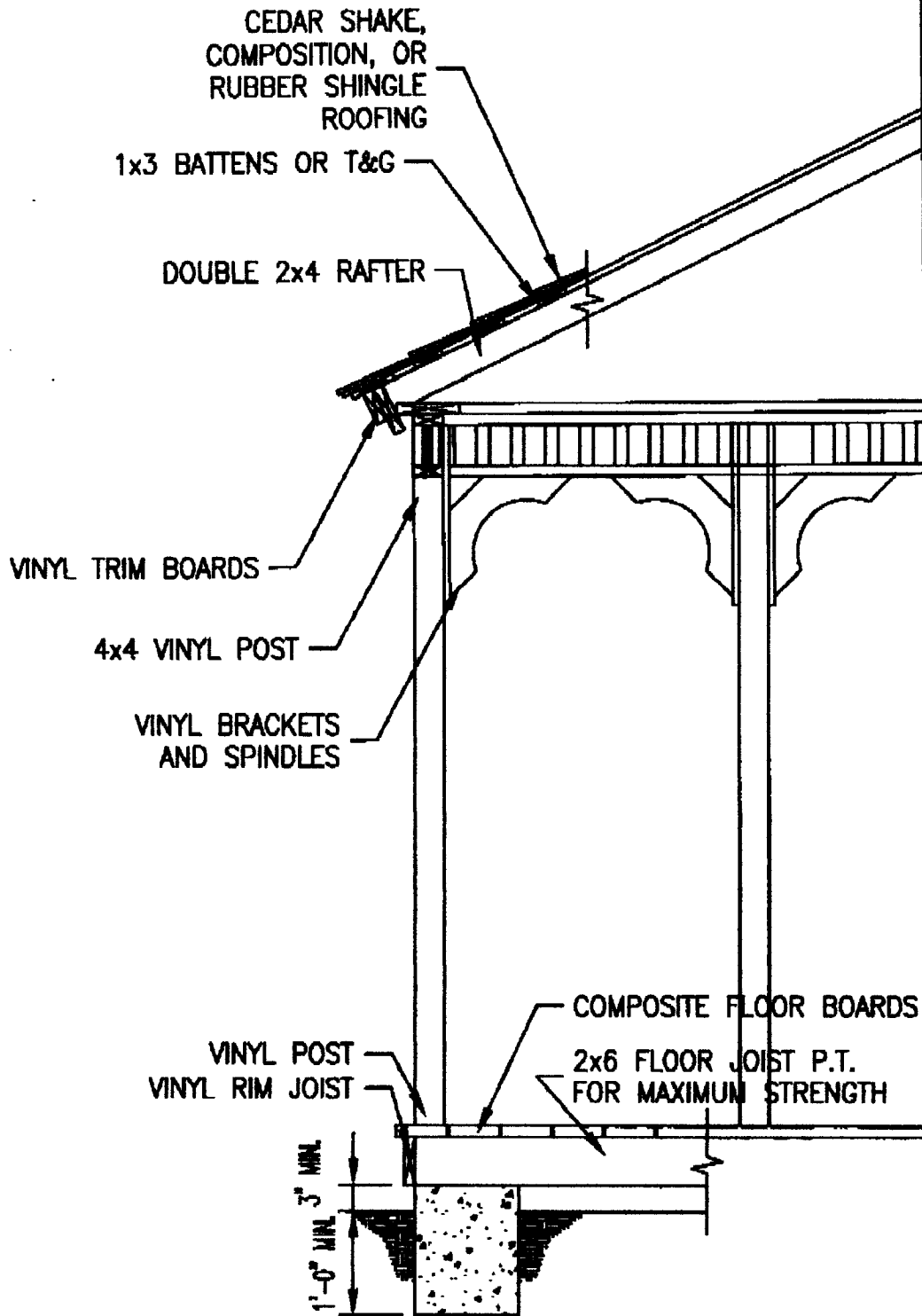


VINYL RECTANGLE GAZEBOS

SIZE	A	B	C	D	E	F	G	H
8x10	115- $\frac{1}{2}$ "	91- $\frac{1}{2}$ "	6- $\frac{3}{4}$ "	32"	72- $\frac{3}{8}$ "	115- $\frac{3}{4}$ "	39- $\frac{1}{2}$ "	N/A
8x12	139- $\frac{1}{2}$ "	91- $\frac{1}{2}$ "	6- $\frac{3}{4}$ "	32"	72- $\frac{3}{8}$ "	115- $\frac{3}{4}$ "	39- $\frac{1}{2}$ "	N/A
8x14	163- $\frac{1}{2}$ "	91- $\frac{1}{2}$ "	6- $\frac{3}{4}$ "	32"	72- $\frac{3}{8}$ "	115- $\frac{3}{4}$ "	39- $\frac{1}{2}$ "	N/A
10x12	139- $\frac{1}{2}$ "	112- $\frac{1}{2}$ "	6- $\frac{3}{4}$ "	32"	72- $\frac{3}{8}$ "	123"	39- $\frac{1}{2}$ "	136- $\frac{1}{2}$ "
10x14	163- $\frac{1}{2}$ "	112- $\frac{1}{2}$ "	6- $\frac{3}{4}$ "	32"	72- $\frac{3}{8}$ "	123"	39- $\frac{1}{2}$ "	136- $\frac{1}{2}$ "
10x16	187- $\frac{1}{2}$ "	112- $\frac{1}{2}$ "	6- $\frac{3}{4}$ "	32"	72- $\frac{3}{8}$ "	123"	39- $\frac{1}{2}$ "	136- $\frac{1}{2}$ "
10x20	235- $\frac{1}{2}$ "	112- $\frac{1}{2}$ "	6- $\frac{3}{4}$ "	32"	72- $\frac{3}{8}$ "	123"	39- $\frac{1}{2}$ "	136- $\frac{1}{2}$ "
12x14	163- $\frac{1}{2}$ "	139- $\frac{1}{2}$ "	6- $\frac{3}{4}$ "	32"	72- $\frac{3}{8}$ "	128- $\frac{1}{4}$ "	39- $\frac{1}{2}$ "	141"
12x16	187- $\frac{1}{2}$ "	139- $\frac{1}{2}$ "	6- $\frac{3}{4}$ "	32"	72- $\frac{3}{8}$ "	128- $\frac{1}{4}$ "	39- $\frac{1}{2}$ "	141"
12x18	211- $\frac{1}{8}$ "	139- $\frac{1}{2}$ "	6- $\frac{3}{4}$ "	32"	72- $\frac{3}{8}$ "	128- $\frac{1}{4}$ "	39- $\frac{1}{2}$ "	141"
12x20	235- $\frac{1}{2}$ "	139- $\frac{1}{2}$ "	6- $\frac{3}{4}$ "	32"	72- $\frac{3}{8}$ "	128- $\frac{1}{4}$ "	39- $\frac{1}{2}$ "	141"
12x24	283- $\frac{1}{2}$ "	139- $\frac{1}{2}$ "	6- $\frac{3}{4}$ "	32"	72- $\frac{3}{8}$ "	128- $\frac{1}{4}$ "	39- $\frac{1}{2}$ "	141"
14x18	211- $\frac{1}{2}$ "	160- $\frac{3}{4}$ "	6- $\frac{3}{4}$ "	32"	72- $\frac{3}{8}$ "	132"	39- $\frac{1}{2}$ "	146- $\frac{3}{4}$ "
14x20	235- $\frac{1}{2}$ "	160- $\frac{3}{4}$ "	6- $\frac{3}{4}$ "	32"	72- $\frac{3}{8}$ "	132"	39- $\frac{1}{2}$ "	146- $\frac{3}{4}$ "
14x24	283- $\frac{1}{2}$ "	160- $\frac{3}{4}$ "	6- $\frac{3}{4}$ "	32"	72- $\frac{3}{8}$ "	132"	39- $\frac{1}{2}$ "	146- $\frac{3}{4}$ "
14x32	379- $\frac{1}{2}$ "	160- $\frac{3}{4}$ "	6- $\frac{3}{4}$ "	32"	72- $\frac{3}{8}$ "	132"	39- $\frac{1}{2}$ "	146- $\frac{3}{4}$ "

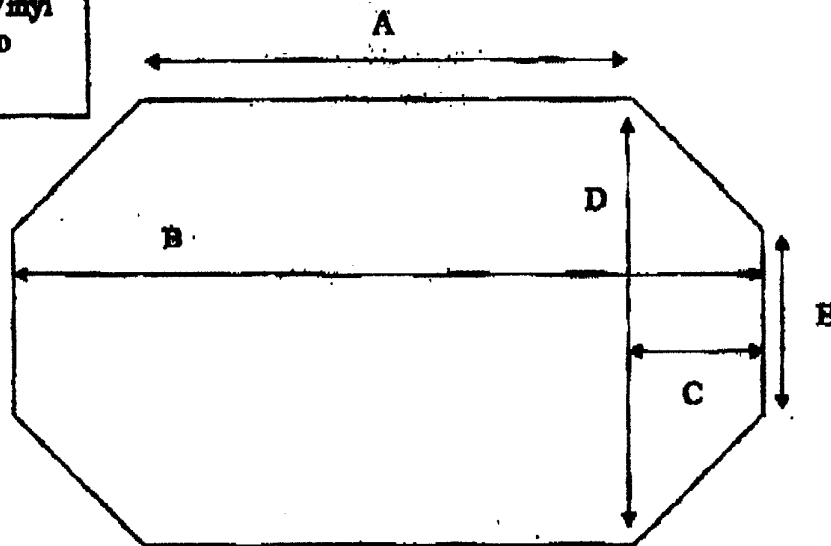
GAZEBO DIMENSIONS

RECTANGULAR - VINYL



GAZEBO DIMENSIONS

Wood and Vinyl
Oval Gazebo
Dimensions



Size	"A" Inches	"B" Inches	"C" Inches	"D" Inches	"E" Inches
8x10	60 7/16	112	25 3/4	88	36 7/16
8x12	84 7/16	136	25 3/4	88	36 7/16
8x14	108 7/16	160	25 3/4	88	36 7/16
10 x 12	71 1/4	138 1/8	33 1/16	114 1/8	47 1/4
10 x 14	95 1/4	162 1/8	33 1/16	114 1/8	47 1/4
10 x 16	119 1/4	186 1/8	33 1/16	114 1/8	47 1/4
10 x 20	167 1/4	234 1/8	33 1/16	114 1/8	47 1/4
12 x 14	81 3/8	162 5/8	40 9/16	138 5/8	57 3/8
12 x 16	105 3/8	186 5/8	40 9/16	138 5/8	57 3/8
12 x 18	129 3/8	210 5/8	40 9/16	138 5/8	57 3/8
12 x 20	153 3/8	234 5/8	40 9/16	138 5/8	57 3/8
12 x 24	201 3/8	282 5/8	40 9/16	138 5/8	57 3/8
14 x 18	114 3/8	208 1/4	46 15/16	160 1/4	66 3/8
14 x 20	138 3/8	232 1/4	46 15/16	160 1/4	66 3/8
14 x 24	186 3/8	280 1/4	46 15/16	160 1/4	66 3/8
14 x 32	282 3/8	376 1/4	46 15/16	160 1/4	66 3/8